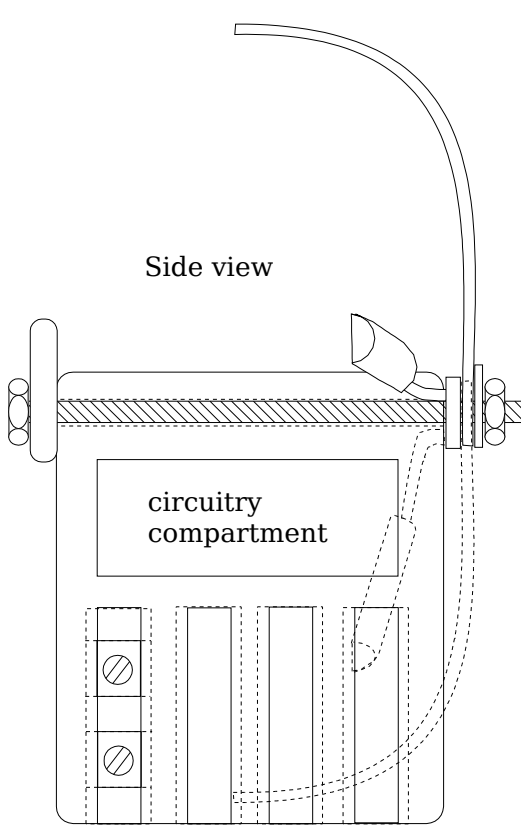
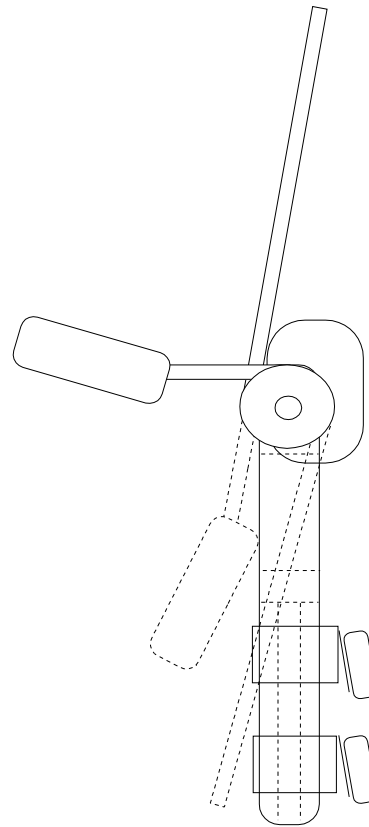


Assembly for adjusting key height



Side view



Top view

A sketch of an easily manufacturable design. After folding the braces it may be stowed in a pocketable case. Means to lock and adjust the braces are not shown.